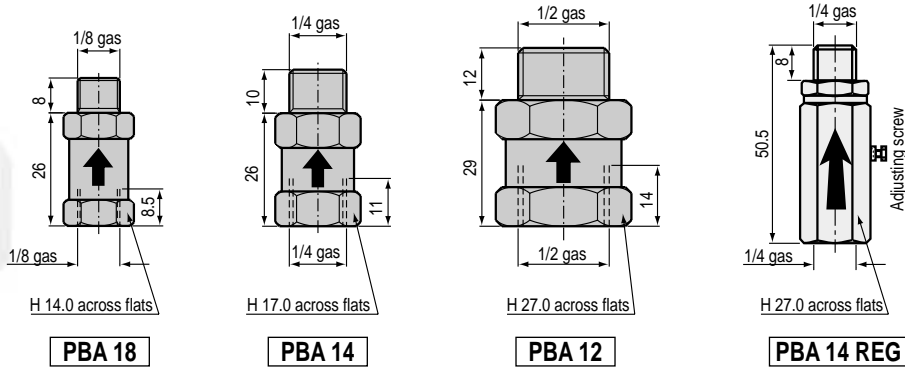


# Automatic shut-off valves, series PBA



## Applications:

With a centralized vacuum and no load under the suction cup, the feeler shuts off the vacuum inlet by means of the suction flow.

## Advice:

During release, carry out blowing with compressed air in order to enhance the freeing of parts and to clean the feelers.

## Advantages:

- Simple to install.
- Compatible with all suction cup shapes.

## Drawbacks:

- The vertical position is preferable.
- In theory, constant minimum leak on non-covered suction cups.

## Adjustable feeler, series PBA 14 reg:

The adjustable feeler allows accurate adjustment of the leak rate when rapid gripping is required with respect to the internal volume of the suction cup.

## Leak rate:

By design and for the feeler to operate correctly, there is a constant leak when no part to be handled is present.

To calculate the suction flow rate of the vacuum source, allowance must be made for the following leak rates at 0.6 bar (per part):

PBA 18 : 0,43 m <sup>3</sup> /h	PBA 12 : 1,4 m <sup>3</sup> /h
PBA 14 : 0,47m <sup>3</sup> /h	PBA 14 reg : from 0.2 to 4.3 m <sup>3</sup> /h

## Interchangeability:

The PBA series is completely interchangeable with the former series, SVK or SV 14 reg.

## Accessories:

Fitting on spring systems.

